

In the circuit of figure 1, the initial condition is $V_C(0) = -10$ V and the diode is assumed to be ideal. Calculate $I_D(t)$ for $t \geq 0$ and the instant(s) at which the state of the diode changes.

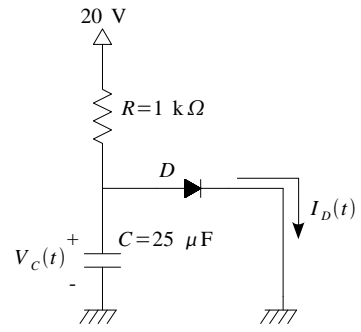


Figure 1: